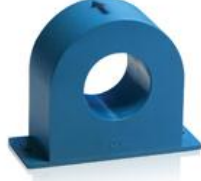


High Accuracy Current Sensors

| ORDER STRING (Catalog no.) | CS05S / RS5 (HX0140) | CS1 (EL0072) | CS1L (EL0115) | CS1S (HX0118/HX0129) |
|-------------------------------|---|---|--|---|
| |  |  |  |  |
| RATING | 10A | 100A | 100A | 100A |
| WINDOW | Ø 16mm / 0.62" | Ø 12mm / 0.47" | Ø 23mm / 0.9" | Ø 16mm / 0.63" |
| CORE | Split | Solid | Solid | Split |
| ACCURACY | 0.5% | 0.1% | 0.1% | 0.5% |
| BURDEN | 0.2 VA | 0.2 VA | 0.2 VA | 0.2 VA |
| APPROX. WEIGHT | 98.2g / 0.22 lbs | 156.4g / 0.34 lbs | 206.3g / 0.45 lbs | 103.4g / 0.23 lbs |

| ORDER STRING (Catalog no.) | CS2S (HX0145) | CS2SL (HX0143) | CS4 (EL0117) | CS4S (HX0139) |
|-------------------------------|---|---|--|---|
| |  |  |  |  |
| RATING | 200A | 200A | 400A | 400A |
| WINDOW | 24.5x23.1mm / 0.96x0.9" | 43.2x33mm / 1.7x1.3" | Ø 26mm / 1.02" | 43.2x33mm / 1.7x1.3" |
| ACCURACY | 0.5% | 0.5% | 0.1% | 0.5% |
| CORE | Split | Split | Solid | Split |
| BURDEN | 0.2 VA | 0.2 VA | 0.2 VA | 0.2 VA |
| APPROX. WEIGHT | 160g / 0.34 lbs | 460g / 1lbs | 214g / 0.47 lbs | 460g / 1lbs |

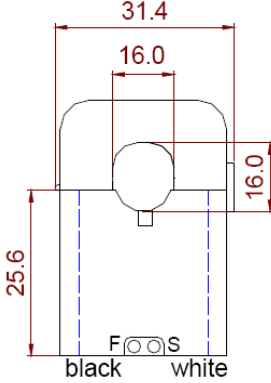
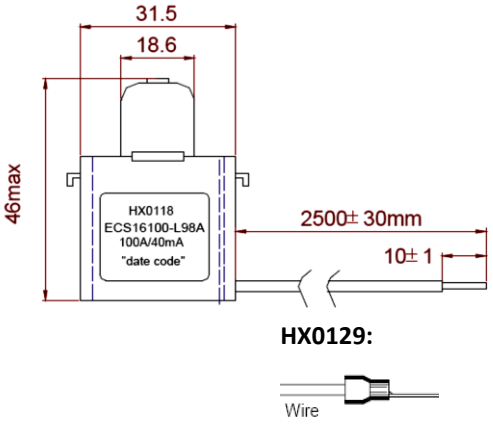
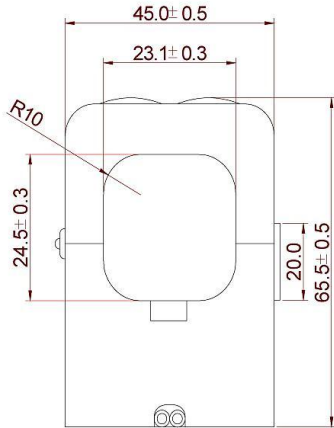
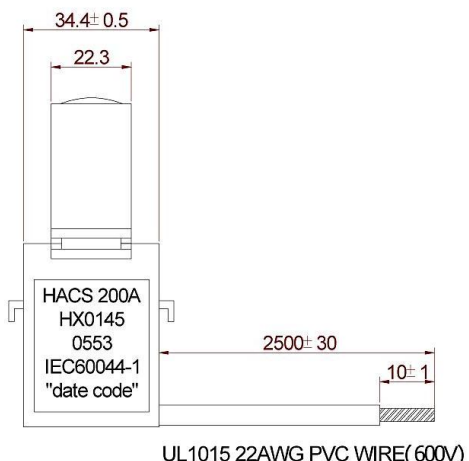
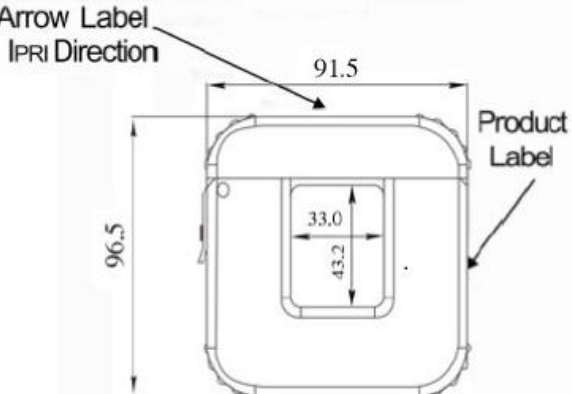
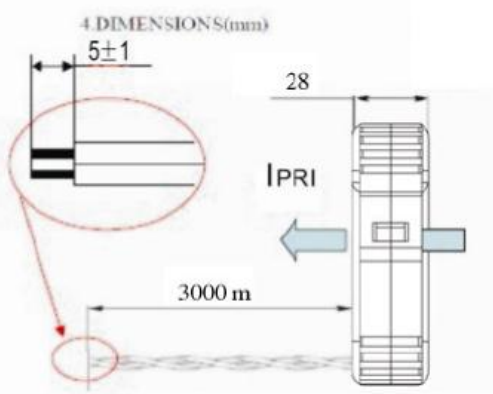
| ORDER STRING (Catalog no.) | CS8 (EL0125) | CS8S (HX0138) | CS12S (HX0137) |
|-------------------------------|--|--|--|
| |  |  |  |
| RATING | 800A | 800A | 1200A |
| WINDOW | 100x32mm / 4x1.28" | 50x80mm / 1.9x3.1" | 121x80mm / 4.7x3.1" |
| ACCURACY | 0.1% | 0.5% | 0.5% |
| CORE | Solid | Split | Split |
| BURDEN | 0.2 VA | 0.2 VA | 0.2 VA |
| APPROX. WEIGHT | 525g / 1.16lbs | 1.0kg / 2.2 lbs | 1.5kg / 3.3 lbs |

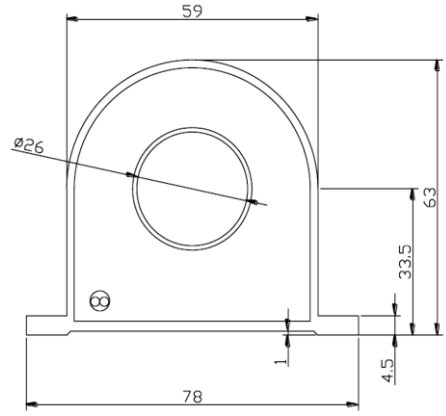
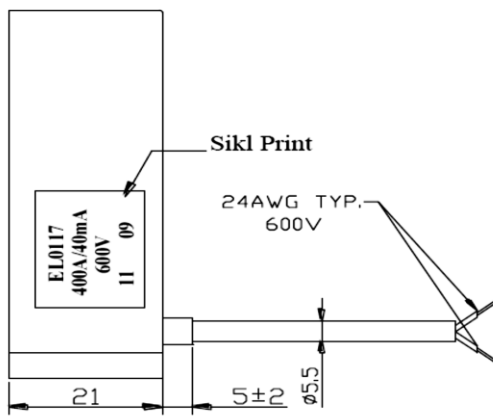
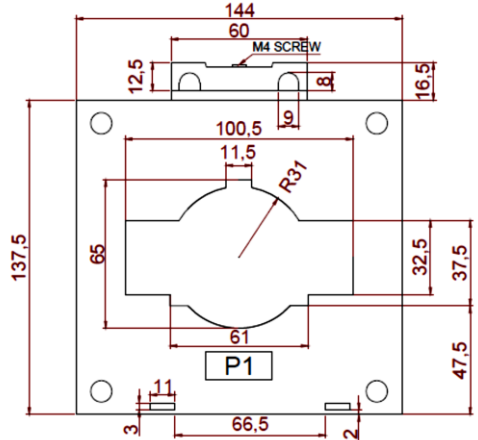
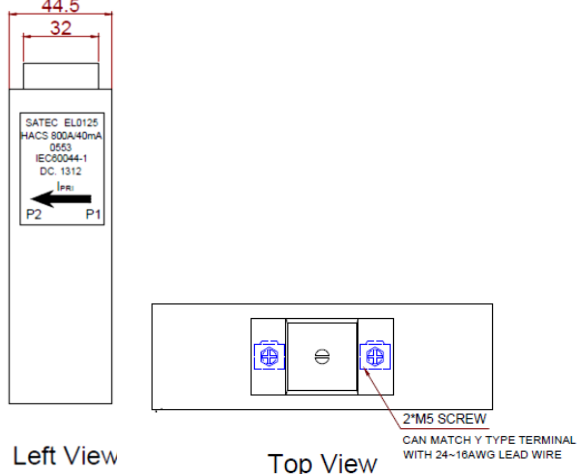
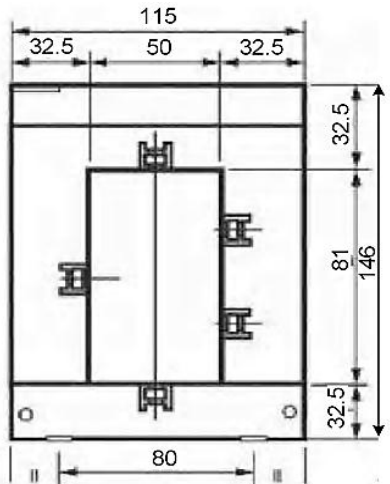
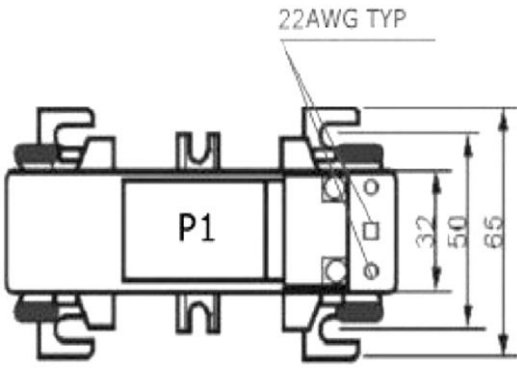
Technical Specifications

| | |
|-----------------------|-------------------------------|
| Frequency | 50/60Hz |
| Lead Insulation | 600V AC |
| Core Insulation | 4000V AC |
| Lead Length | 2.5m / 8.2ft (UL1015) |
| Operation Temperature | -40°C to +70°C |
| Storage Temperature | -40°C to +85°C |
| Material | All materials are UL approved |
| Standard | IEC 60044-1 |

CT Dimensions

| Order String | Front View | Side View |
|----------------------------|------------|------------------|
| CS05S RS5 | | <p>Left View</p> |
| CS1 | | <p>Left View</p> |
| CS1L | | <p>Left View</p> |

| Order String | Front View | Side View |
|-------------------|---|--|
| CS1S |  |  |
| CS2S |  |  |
| CS2SL CS4S |  |  |

| Order String | Front View | Side View |
|--------------|---|--|
| CS4 |  |  <p>Left View</p> |
| CS8 |  |  <p>Left View</p> <p>Top View</p> |
| CS8S |  |  <p>Top View</p> |

| Order String | Front View | Side View |
|--------------|------------|-----------|
| CS12S | | |
| | | Top View |